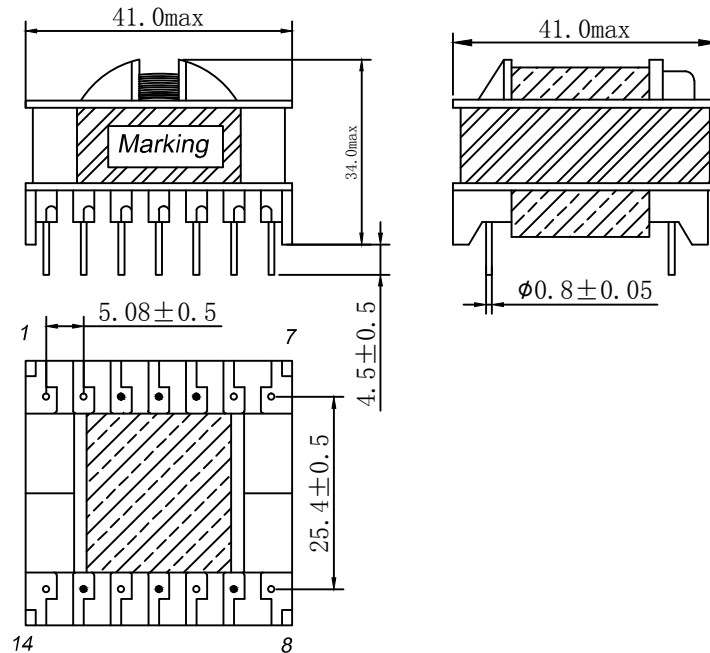


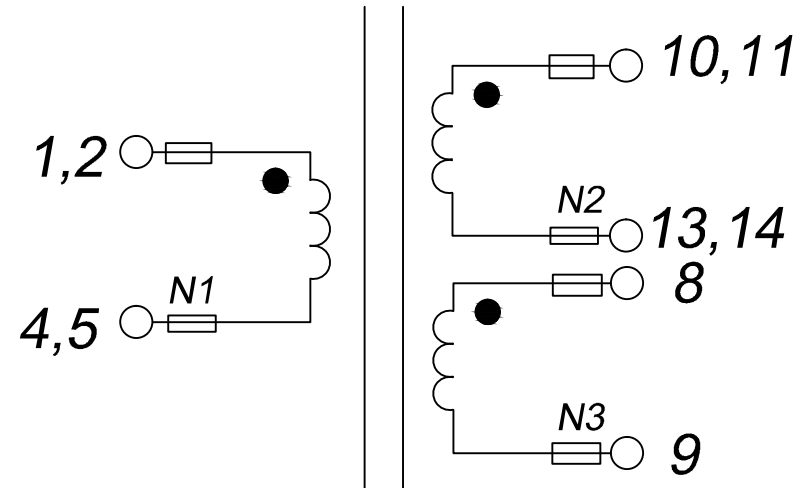
CUSTOMER TERMINAL	ROHS	Lead (Pb) -free
	YES	YES



1. Mechanical Dimensions



2. Schematic Diagram



3. Material List

Core:FW95-ETD34

Bobbin:FWB3401

Wire:TIW-B

2UEW

Operating Temperature: -30 to 115°C

4. Electrical Specification

Inductance: L (1,2-4,5) =1.0mH±5% 1KHZ 1V

HI-POT: P-S AC 4000V 2mA 2SECONDS

REV.	DATE	<p>Convention Placement</p>	DRW.	Drawing Title: TRANSFORMER Customer P/N:	Part No:
0	00/00		CHK.		FWPTETD34H102J-A
RoHS		www.ferriwo.com	APP.		Specification Sheet 1 of 1